

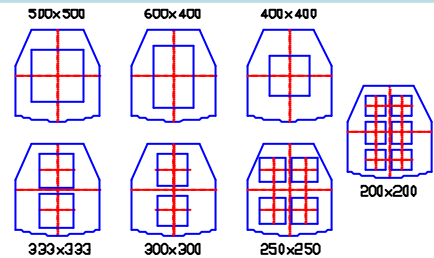
PRESS MOD.: P2 - 300



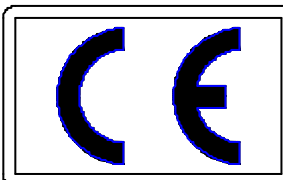
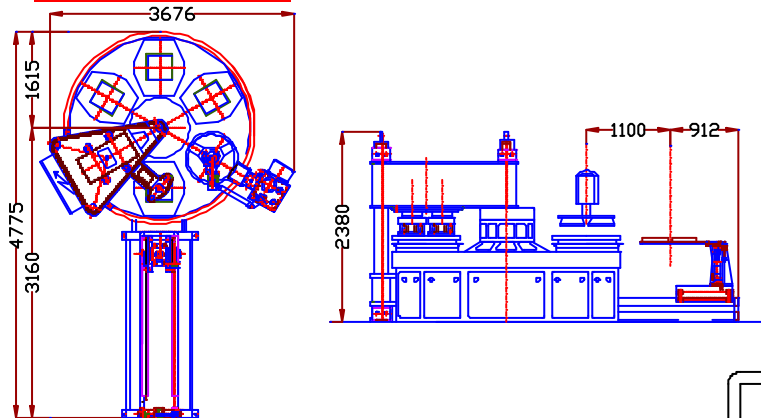
Characteristic main:

Diameter of the machine:.....3000 mm
 Maximunwidth:.....2380 mm
 Installed totalpower:.....55 HP Approx.
 Work tension:.....400 VAC
 Tension of service:.....24 VDC
 Consumption o f compressed air, filtrate and dry.....
10 m3/hour to a pressure of 5 to 8 bar.
 TOTAL WEIGHT:.....14100 KG.

Recommended formats:



Dimensions:



PRETOMMAQUINARIA, S.L.
CONSTRUCCIÓNDEMAQUINARIA
PARATERRAZOYMÁRMOL
 C/Lugo, s/n- TOMELLOSO-ESPAÑA
 Tel.: +34926506570-+34926512912
 Fax: +34926506562
<http://www.pretom.com>
 e-mail: pretom@pretom.com